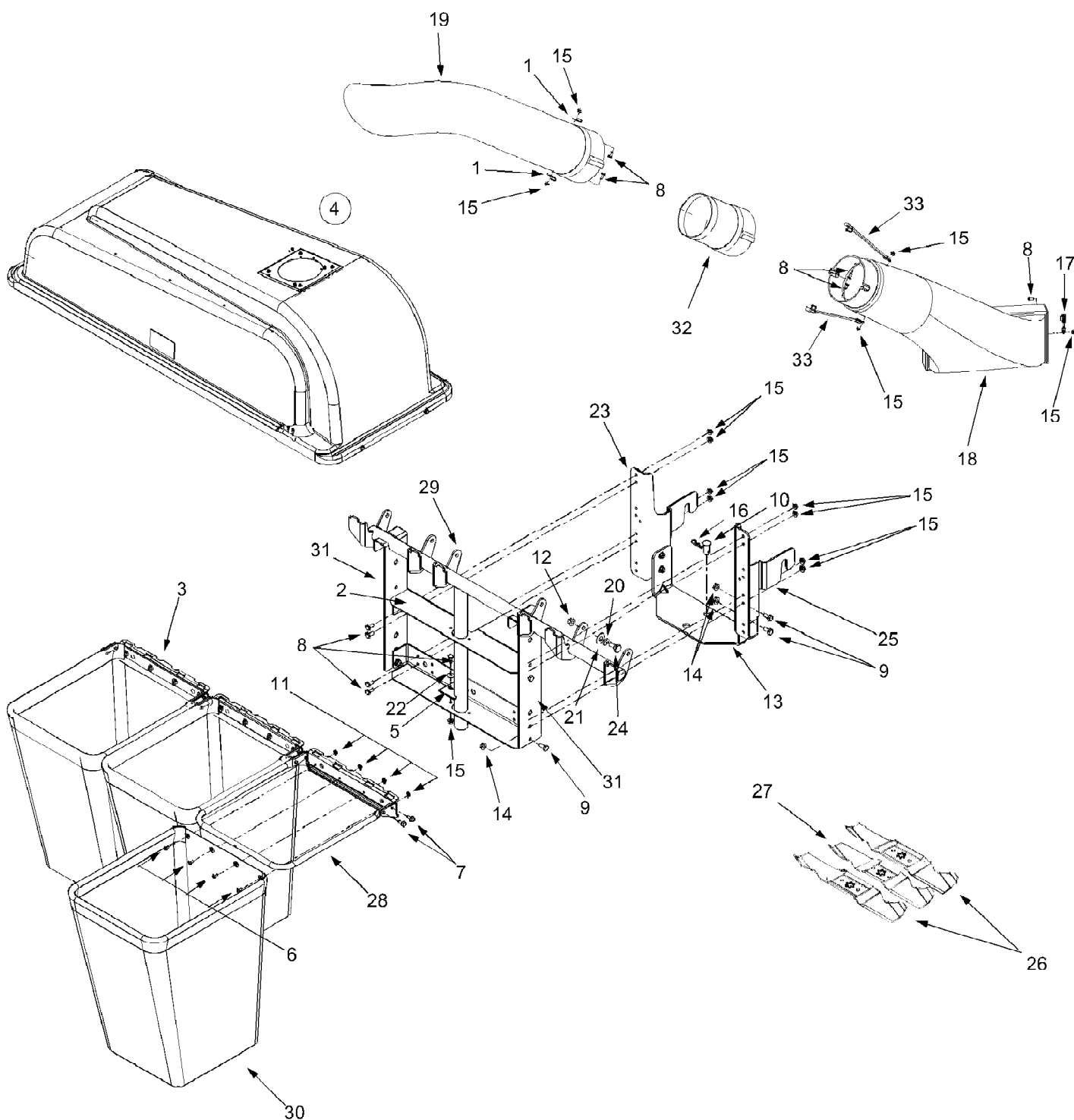


190-821-101 Triple Bagger (2001)  
Bagger Assembly



190-821-101 Triple Bagger (2001)  
Bagger Assembly

Page 2 of 2

Ref #	Part Number	Qty	S/P/F	Description
1	16606	1	S	Retainer Hook Bracket
2	17200A	1	S	Catcher Support Bracket
3	17201A	1	S	Bag Frame Hanger Bracket
4	17204	1		Cover Assembly Complete
5	17247	1	S	Support Tube Bracket
6	710-0473	1	/P	Screw, #10-24 x .5
7	710-0604	1	S	Self Tapping Screw, 5/16-18 x .625
8	710-0751	1	/P	Hex Cap Screw, 1/4-20 x .62
9	710-3008	1	/P	Hex Cap Screw, 5/16-18 x .75
10	711-0309A	1	/P	Clevis Pin
11	712-0272	1	/P	Hex Sems Nut, 10-24
12	712-0431	1	S	Hex Flange Lock Nut, 3/8-16
13	783-0765	1	S	Support Cross Bracket
14	712-3004A	1	/P	Hex Flange Lock Nut, 5/16-18
15	712-3027	1	S	Hex Flange Lock Nut, 1/4-20
16	714-0117	1	/P	Internal Cotter Pin, .148 x 3
17	723-0383	1	S	Retainer Strap Assembly
18	731-0925B	1	S	Discharge Chute
19	731-0926	1	S	Chute Tube
20	736-0108	1	S	Flat Washer, .51 x .75 x .033
21	736-0253	1	S	Belleville Washer
22	736-0270	1	/P	Bell Washer, .265 x .75 x .062
23	783-0764	1	S	LH Catcher Support Bracket
24	738-0380	1	S	Shoulder Screw, .50 x .27, 3/8-16
25	783-0673	1	S	RH Catcher Support Bracket
26	742-0644	1	S	Star-center Blade, 16.28
27	742-0645	1	S	Star-center Blade, 14.88
28	749-0745A	1	S	Grassbag Frame Tube
29	749-0750	1	S	Catcher Support Tube
30	764-0251	1	S	Grassbag
31	783-0601	1	S	Catcher Support Bracket
32	731-2299	1	S	Extension Tube
33	723-0476	1		Retainer Strap Assembly